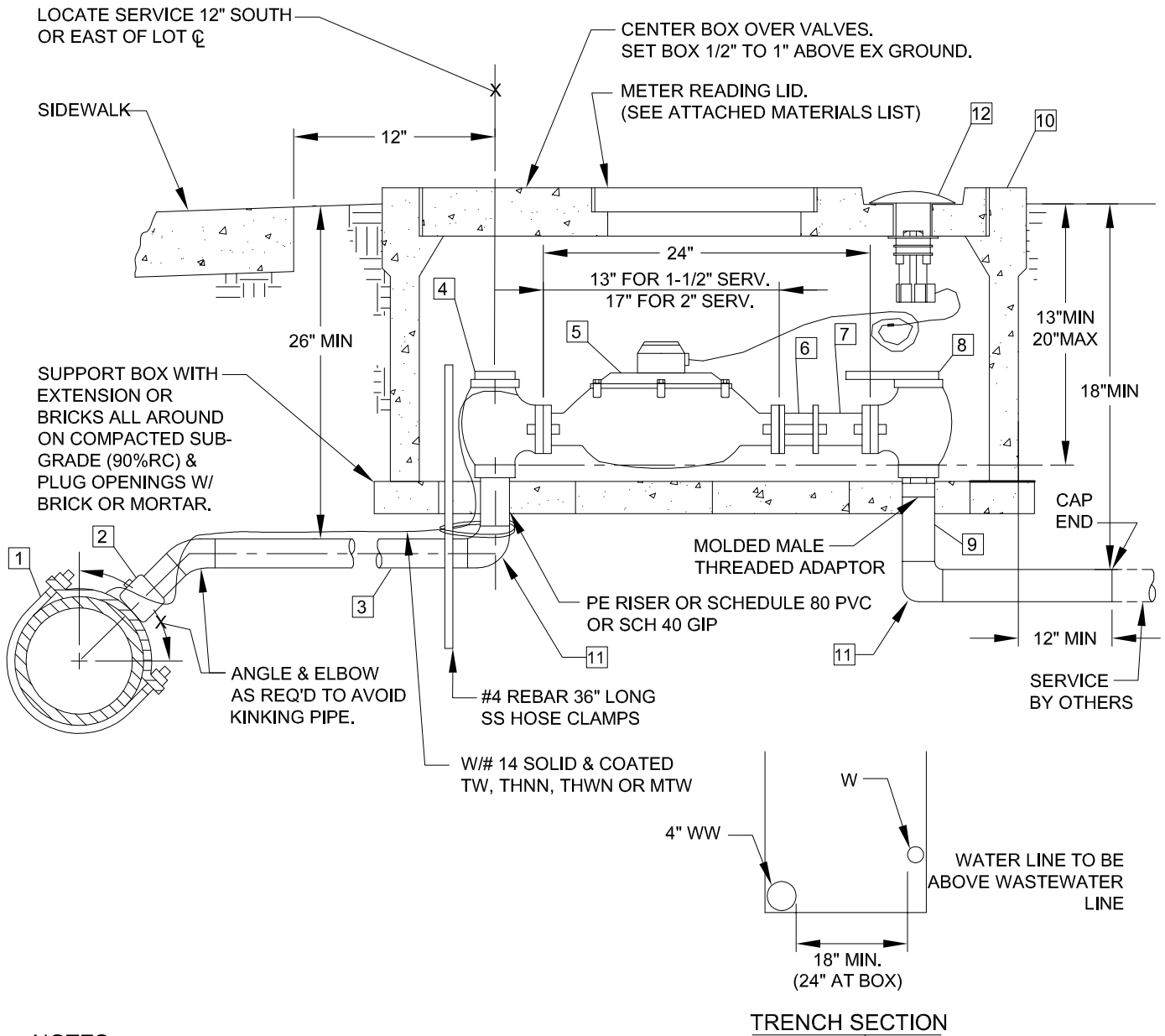




CITY OF LODI

PUBLIC WORKS DEPARTMENT

2" WATER SERVICE FOR 1-1/2" OR 2" METER W/ RADIO READ



NOTES:

1. MAINTAIN 24" CLEARANCE BETWEEN TAP AND ANY COUPLING, FITTING OR ADJACENT TAP. PLASTIC SERVICES SHALL BE INSTALLED WITH SLACK IN THE LINE. IF THE SERVICE IS INSTALLED IN THE SAME TRENCH AS SANITARY SERVICE, THE WATER SERVICE SHALL BE INSTALLED WITHOUT SPLICES AND THE TRENCH SECTION SHOWN APPLIES:
2. S.S. LINERS REQUIRED ON PE PIPE FITTINGS.
3. BACKFILL SHALL CONFORM TO STD PLAN 501.
4. ALL FITTINGS MUST COMPLY WITH THE LATEST STATE OF CALIFORNIA NO LEAD REQUIREMENTS.

SHEET 1 OF 4

Dr.	JP	No.	Date	Revision	Appr.	Approved By:	 Lyman Chang City Engineer RCE No. 53149	8/13/18 Date	STD PLAN			
Ch.	SN	1	9/03	ADDED END CAP		 Lyman Chang City Engineer RCE No. 53149			8/13/18 Date	<h1>412</h1>		
		2	2/04	REVISED PAGE 4								
		3	2/05	REVERSED TRENCH SECTION								
Date		4	6/10	REVISED PER AB 1953 REQ'S.								



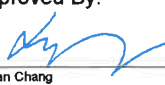
CITY OF LODI

PUBLIC WORKS DEPARTMENT

2" WATER SERVICE FOR 1-1/2" OR 2" METER MATERIAL LIST

FITTING (A)	SIZE	BASIC FEATURE	INLET CONNECTION	OUTLET CONNECTION	MANUFACTURER'S NOS.
SADDLES 1	2"	FOR C1-AC & DUCTILE IRON PIPE DUCTILE IRON DOUBLE STRAP SADDLE <u>NO SINGLE STRAP SADDLES</u>		IPT	ROCKWELL 313 APAC 102 OTHER MANUFACTURERS WITH SIMILAR DESIGNS O.K.
SADDLES	2"	FOR C900 PIPE		IPT	ROMAC 101S MUELLER H1349 WITH 1P THREAD
CORP. STOP 2	2"	BALL VALVE	2" IPT	2" CTS COMP	A.Y. MCDONALD 4704B-22 OR APPROVED EQUAL
CORP. STOP	2"	BALL VALVE	2" IPT	2" IPT	A.Y. MCDONALD 3122B OR APPROVED EQUAL

SHEET 2 OF 4

Dr.	No.	Date	Revision	Appr.	Approved By:  Lyman Chang City Engineer RCE No. 53149	Date 8/13/18	STD PLAN 412
Ch.	1	9/03	ADDED END CAP				
WS	2	2/04	REVISED PAGE 4				
Date	3	2/05	REVISED PAGE 1				
	4	6/10	REVISED PER AB 1953 REQ'S.				



CITY OF LODI

PUBLIC WORKS DEPARTMENT

2" WATER SERVICE FOR 1-1/2" OR 2" METER MATERIAL LIST

FITTING (A)	SIZE	BASIC FEATURE	INLET CONNECTION	OUTLET CONNECTION	MANUFACTURER'S NOS.
SERVICE PIPE 3	2"				C.T.S. PE 3408 200 PSI SDR9 ASTM D-2737 SCH 80 PVC WITH TRACE WIRE, OR SCH 40 GIP
ANGLE STOP 4	2"	BALL VALVE WITH LOCKWING	2" CTS COMP.	2" 2 HOLE METER FLANGE	A.Y. MCDONALD 4602B-22 OR APPROVED EQUAL.
	2"	BALL VALVE WITH LOCKWING	2" FNPT	2" 2 HOLE METER FLANGE	A.Y. MCDONALD 4604B OR APPROVED EQUAL.
METER 5	1-1/2" OR 2"	BRONZE 13" LONG FOR 1-1/2" SERVICE 17" LONG FOR 2" SERVICE W/ RUBBER WASHER	2 HOLE FLG	2 HOLE FLG	J129 BADGER 120 OR 170 SENSUS SR-BA HERSEY 562 OR 572
COUPLING 6	1-1/2" OR 2"	FLANGED METER COUPLING ADAPTER MALLEABLE IRON	2 HOLE FLG WITHOUT RING	COMPRESSION COUPLING TO SCH. 80 NIPPLE	ROCKWELL 926 METER COUPLING
SPOOL & FLANGE 7	1-1/2" OR 2"	PVC SCH. 80 & BRONZE FLG.	2 HOLE FLG	PLAIN END	9 1/2" LONG FOR 1 1/2" METER 5 1/2" LONG FOR 2" METER
CUSTOMER VALVE 8	2"	BALL VALVE WITH LOCKWING ALL VALVES MUST HAVE BRASS HANDLE	2" FNPT	2" 2 HOLE METER FLANGE	A.Y. MCDONALD 4604B OR APPROVED EQUAL. HANDLE A.Y. MCDONALD 6120BS OR APPROVED EQUAL.
CUSTOMER STUB 9	2"	PVC SCH. 80	PLAIN END	PLAIN END	IPS PVC SCHEDULE 80 PER UNIFORM PLUMBING CODE. (SAME SIZE AS SERVICE PIPE)

SHEET 3 OF 4

Dr.	No.	Date	Revision	Appr.	Approved By:	 8/13/18 Date	STD PLAN 412
Ch. WS	1	9/03	ADDED END CAP				
	2	2/04	REVISED PAGE 4				
	3	2/05	REVISED PAGE 1				
Date	4	6/10	REVISED PER AB 1953 REQ'S.		Lyman Chang City Engineer RCE No. 53149		



CITY OF LODI

PUBLIC WORKS DEPARTMENT

2" WATER SERVICE FOR 1-1/2" OR 2" METER MATERIAL LIST

FITTING (A)	SIZE	BASIC FEATURE	INLET CONNECTION	OUTLET CONNECTION	MANUFACTURER'S NOS.
SERVICE BOX 10	2"	ALL LIDS TO READ WATER & HAVE HOLES IN LIDS FOR ERT			CHRISTY B36 CHRISTY 36-R-P001BO (FLUSH FIT FOOT TRAFFIC, GRASS AREAS, LID MOUNTED ERTS ONLY) CHRISTY FL36D (FOOT TRAFFIC, GRASS AREAS, FLUSH FIT) CHRISTY B36-61P 1/4" STEEL CHECKER PLATE (DRIVEWAYS, SIDEWALKS, LID MOUNTED ERTS ONLY) CHRISTY B1730 FULL VEHICULAR TRAFFIC BOX CHRISTY B40 BOX CHRISTY B40-61D LID 1/4" STEEL PLATE (LID MOUNTED ERT'S ONLY) CHRISTY B24X36 FULL VEHICULAR TRAFFIC BOX
90° PJ ELBOW			2" PJ CTS	2" PJ CTS	2" FORD L44-77 2" MUELLER H-15526 WITH INSERT
90° ELBOW 11			2"	2"	PVC
ERT 12	N/A	ENCODER RECEIVER TRANSMITTER	N/A	N/A	ITRON 100W PIT ERT W/ THROUGH THE LID MOUNTING KIT OR 1/2" Ø FIBERGLASS MOUNTING ROD 24" LONG MAY BE USED UPON APPROVAL OF PUBLIC WORKS DEPT.

A. ALTERNATE FITTINGS MUST BE APPROVED BY THE CITY ENGINEER.

SHEET 4 OF 4

Dr. KT	No.	Date	Revision	Appr.	Approved By:	 8/13/18 Date	STD PLAN 412
Ch. WS	1	9/03	ADDED END CAP				
Date 12/00	2	2/04	ADDED PVC 90 ELBOW				
	3	2/05	REVISED PAGE 1				
	4	6/10	REVISED PER AB 1953 REQ'S.				

Lyman Chang
City Engineer
RCE No. 53149